

DESCRIPTION:

AMC MODEL MSN-2DT-05-IND-HERM OPTION: 561R310H01 IS AN ABSORPTIVE/NON-REFLECTIVE SINGLE POLE TWO THROW HERMETICALLY SEALED SWITCH, WITH LOW INSERTION LOSS, A SINGLE +5V SUPPLY AND DECODER CONTROL THAT IS OPTIMIZED FOR 50 MHZ TO 500 MHZ.

SPECIFICATIONS:

- FREQUENCY RANGE: 50 MHZ TO 500 MHZ
- INSERTION LOSS: 2 dB MAXIMUM
- ISOLATION: 60 dB MINIMUM
- VSWR (INPUT/OUTPUT): 1.5:1
- SWITCHING SPEED: 2 uSec MAXIMUM (50% - 90% TTL)
- RECOVERY TIME: 200 nSec MAXIMUM
- RF INPUT SIGNAL:
 - CW TYPICAL: +10 dBm
 - CW MAXIMUM: +20 dBm
 - PEAK MAXIMUM: +30 dBm PULSE, 1 uSec PW
- INPUT 1 dB COMPRESSION POINT: +10 dBm MINIMUM
- THIRD ORDER IP: +20 dNm MINIMUM
- POWER SUPPLY: +5V @ 100 mA MAXIMUM
- HARMONICS AND SPURIOUS: RF INPUT SIGNALS +10 dBm MAXIMUM WILL RESULT IN OUTPUT HARMONIC OR SPURIOUS SIGNALS -70 dBm MAXIMUM
- CONTROL: TTL LOGIC, SEE LOGIC TABLE
- WEIGHT: APRX. 1.5 OUNCES
- SIZE: 1.00" (L) x 1.00" (W) x 0.40" (H)

LOGIC TABLE:

E2	E1	PATH
0	1	J3 TO J1
1	0	J3 TO J2

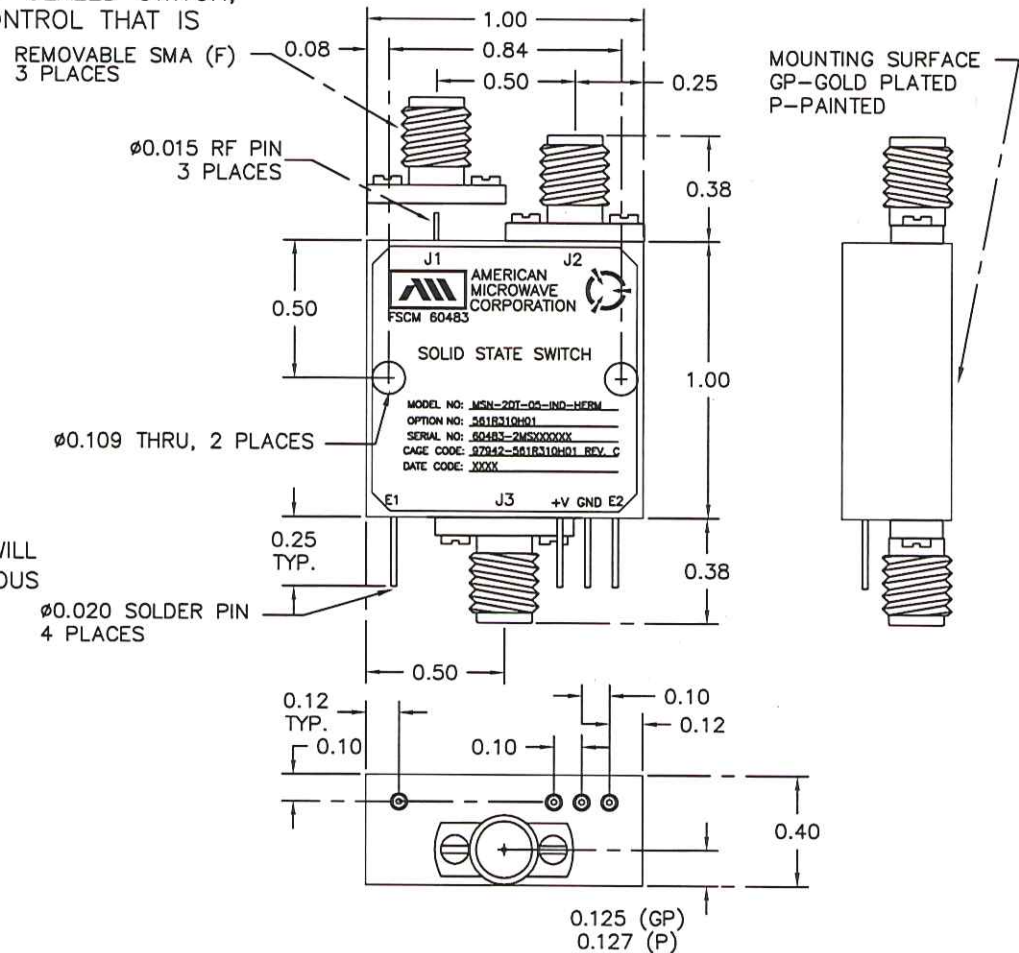
ENVIRONMENTAL RATINGS:

- TEMPERATURE: 0°C TO +50°C (OPERATING)
-40°C TO +85°C (STORAGE)
- THERMAL SHOCK: MIL-STD-202F, METHOD 107 COND. A
- HUMIDITY: MIL-STD-202F, METHOD 103B COND. B
- SHOCK: MIL-STD-202F, METHOD 213B COND. B
- VIBRATION: MIL-STD-202F, METHOD 204D COND. B
- ALTITUDE: MIL-STD-202F, METHOD 105C COND. B
- TEMPERATURE CYCLE: MIL-STD-202F, METHOD 107D COND. A
- HERMETIC SEAL: MIL-STD-202F, METHOD 112 COND. D

NOTE: SPECIFICATIONS WILL VARY OVER OPERATING TEMPERATURE
NOTE: THE ABOVE SPECIFICATIONS ARE SUBJECT TO CHANGE OR REVISION

ALL DIMENSIONS ARE IN INCHES
TOLERANCES:
X.XX ±0.020
X.XXX ±0.010

REVISIONS				
ZONE	REV.	DESCRIPTION	DATE	APPROVED
-	-	ORIGINAL RELEASE JOB# 511253	12/12/05	
A	A	SEE ECR 07-055	04/18/07	PA



AMERICAN MICROWAVE CORPORATION

7311-G GROVE ROAD
FREDERICK, MARYLAND 21704 USA
TEL: 301-662-4700 FAX: 301-662-4938
WEBSITE: www.americamicrowavecorp.com
E-MAIL: sales@americamicrowavecorp.com
ISO 9001:2000 CERTIFIED

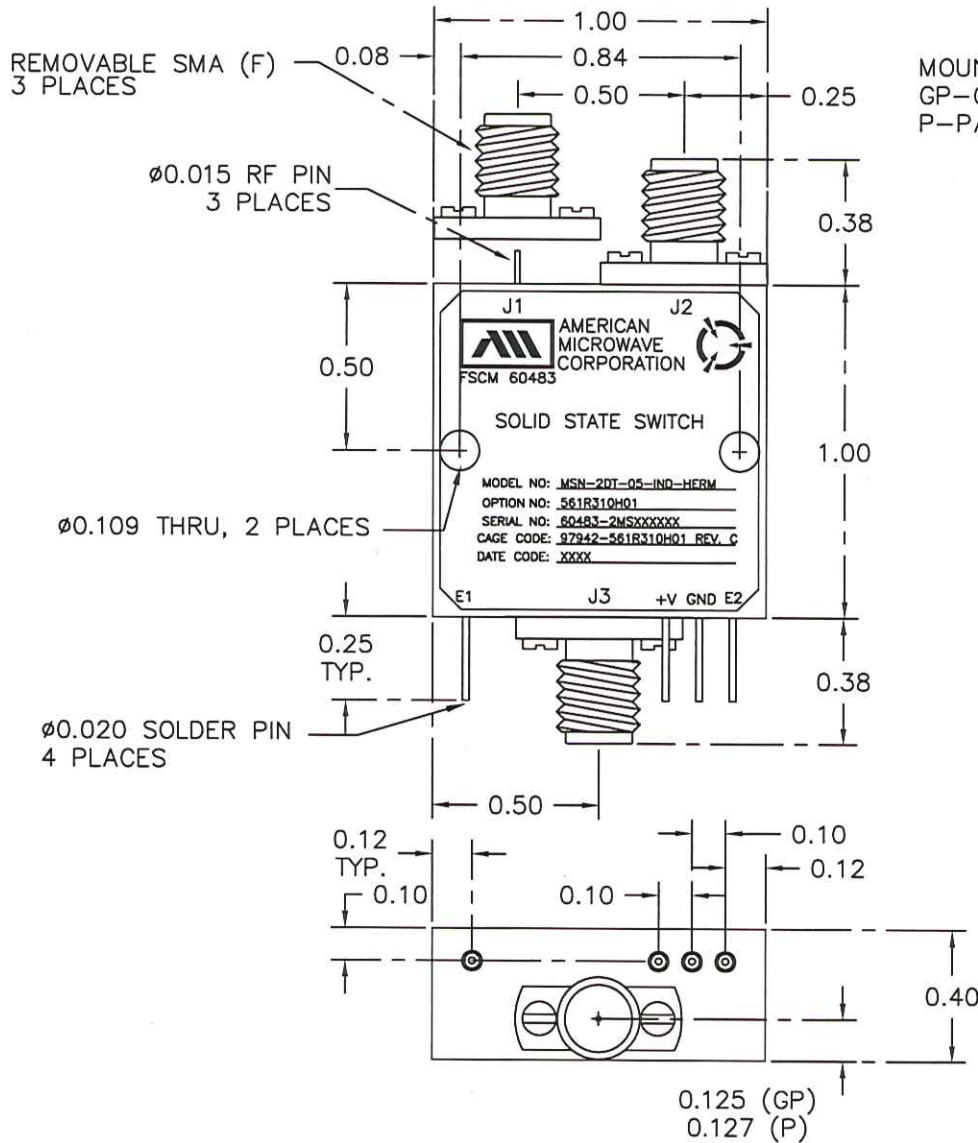


APPROVALS		DATE	TITLE			
DRAWN <i>JDJ</i>		12/12/05	PRODUCT FEATURE MSN-2DT-05-IND-HERM OPTION: 561R310H01 50 TO 500 MHZ, SINGLE POLE TWO THROW SWITCH			
MANUFACTURING <i>PA</i>		4/18/07	SIZE	FSCM NO.	DWG NO.	REV.
QUALITY			A	60483	100-7184-000	A
			SCALE N:S			SHEET 1 OF 4

DESCRIPTION:

AMC MODEL MSN-2DT-05-IND-HERM OPTION: 561R310H01 IS AN ABSORPTIVE/NON-REFLECTIVE SINGLE POLE TWO THROW HERMETICALLY SEALED SWITCH, WITH LOW INSERTION LOSS, A SINGLE +5V SUPPLY AND DECODER CONTROL THAT IS OPTIMIZED FOR 50 MHZ TO 500 MHZ.

REVISIONS				
ZONE	REV.	DESCRIPTION	DATE	APPROVED
	-	ORIGINAL RELEASE JOB# 511253	12/12/05	
	A	SEE ECR 07-055	04/18/07	PA



MECHANICAL OUTLINE

AMERICAN MICROWAVE CORPORATION

7311-G GROVE ROAD
 FREDERICK, MARYLAND 21704 USA
 TEL: 301-662-4700 FAX: 301-662-4938
 WEBSITE: www.americanmicrowavecorp.com
 E-MAIL: sales@americanmicrowavecorp.com
 ISO 9001:2000 CERTIFIED



ALL DIMENSIONS ARE IN INCHES
 TOLERANCES:
 X.XX ±0.020
 X.XXX ±0.010

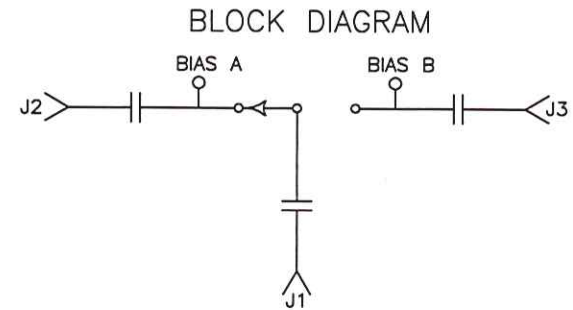
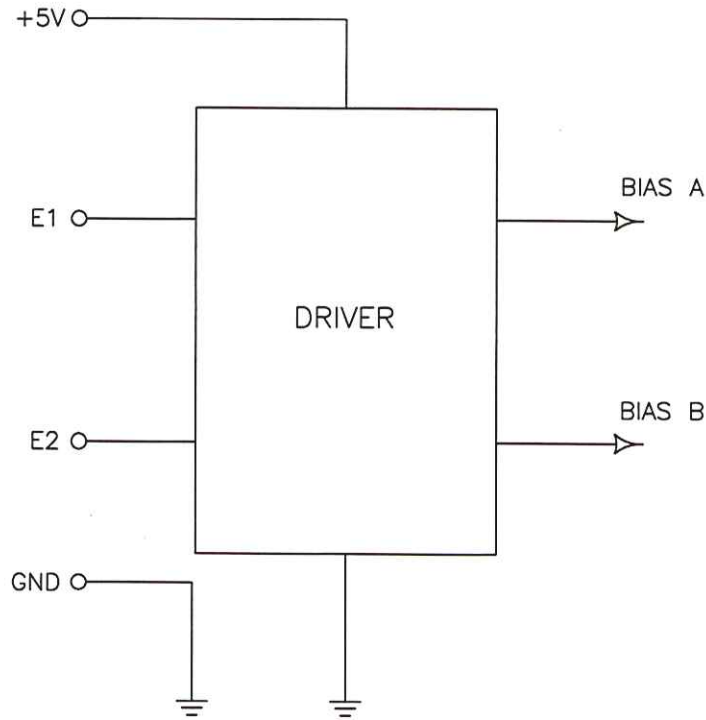
APPROVALS		DATE	TITLE		
DRAWN <i>gdy</i>		12/12/05	MECHANICAL OUTLINE MSN-2DT-05-IND-HERM OPTION: 561R310H01 50 TO 500 MHZ, SINGLE POLE TWO THROW SWITCH		
MANUFACTURING <i>PA</i>		4/18/07	SIZE	FSCM NO.	DWG NO.
QUALITY			A	60483	100-7184-000
SCALE N:S			SHEET 2 OF 4		

DESCRIPTION:

AMC MODEL MSN-2DT-05-IND-HERM OPTION: 561R310H01 IS AN ABSORPTIVE/NON-REFLECTIVE SINGLE POLE TWO THROW HERMETICALLY SEALED SWITCH, WITH LOW INSERTION LOSS, A SINGLE +5V SUPPLY AND DECODER CONTROL THAT IS OPTIMIZED FOR 50 MHZ TO 500 MHZ.

REVISIONS				
ZONE	REV.	DESCRIPTION	DATE	APPROVED
	-	ORIGINAL RELEASE JOB# 511253	12/12/05	
	A	SEE ECR 07-055	04/18/07	PA

FUNCTIONAL BLOCK DIAGRAM



AMERICAN MICROWAVE CORPORATION

7311-G GROVE ROAD
 FREDERICK, MARYLAND 21704 USA
 TEL: 301-662-4700 FAX: 301-662-4938
 WEBSITE: www.americanmicrowavecorp.com
 E-MAIL: sales@americanmicrowavecorp.com
 ISO 9001:2000 CERTIFIED



APPROVALS		DATE	TITLE			
DRAWN	gdf	12/12/05	FUNCTIONAL BLOCK DIAGRAM MSN-2DT-05-IND-HERM OPTION: 561R310H01 50 TO 500 MHZ, SINGLE POLE TWO THROW SWITCH			
MANUFACTURING	PA	4/18/07	SIZE	FSCM NO.	DWG NO.	REV.
QUALITY			A	60483	100-7184-000	A
			SCALE	N:S		SHEET 3 OF 4